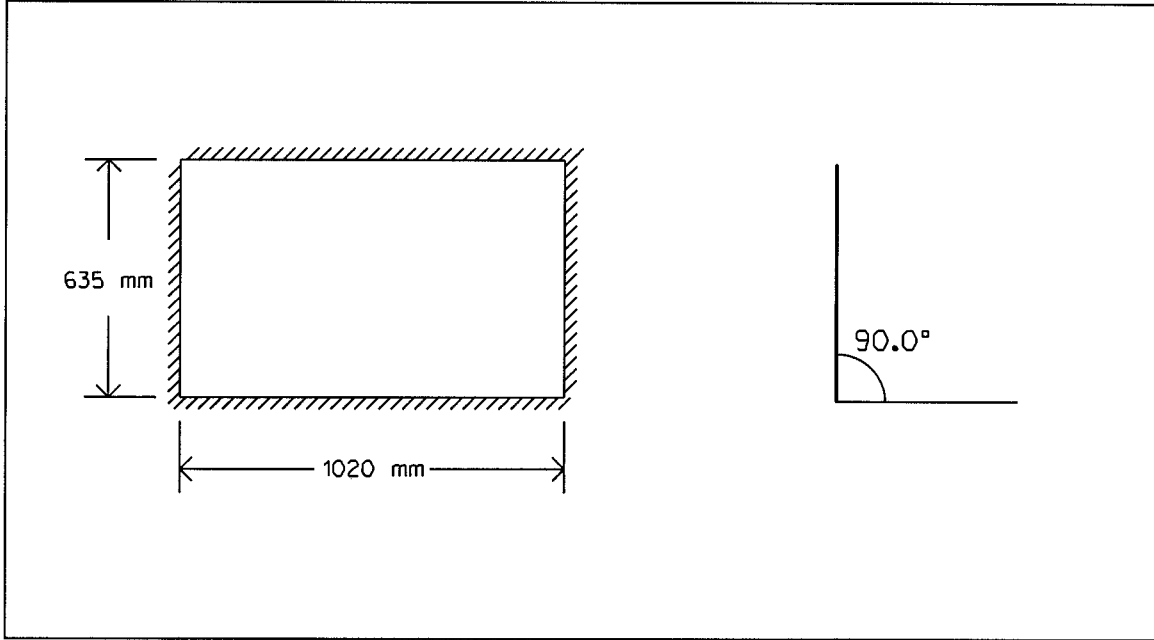


Lite Sketch



Calculation Details

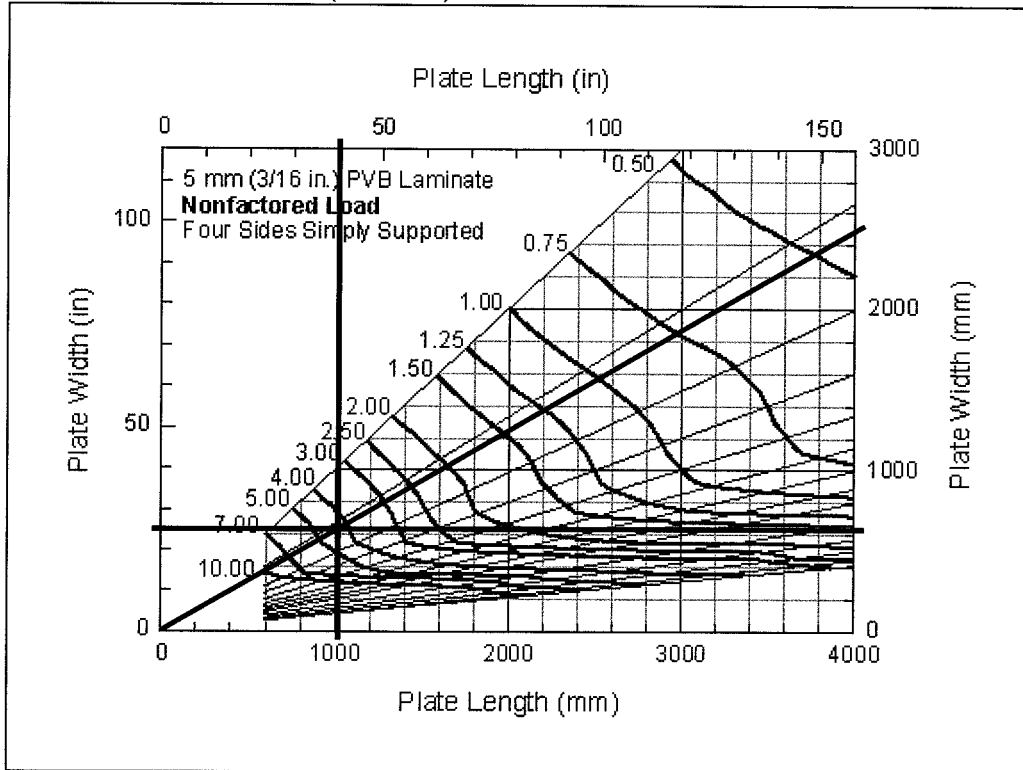
Outboard Lite

Long Duration Load	
Non-Factored Load:	4.36kPa
Glass Type Factor:	2.85
Load Share Factor:	3.14
Load Resistance:	> 10kPa
<hr/>	
Approximate Deflection:	3.43 mm

Inboard Lite

Long Duration Load	
Non-Factored Load:	9.11kPa
Glass Type Factor:	0.5
Load Share Factor:	1.47
Load Resistance:	6.68kPa
<hr/>	
Approximate Deflection:	0.19 mm

Outboard Lite: 5 mm (3/16 in.) PVB Laminate



Inboard Lite: 8.0 mm (5/16 in.) - (4-Sided Simply Supported)

